

Accessories for all Bebcu Blower Units

General Description

Model SP Spiral Pipe Stacks and Model SC Stack Caps, in combination with Model ST Spiral Pipe Tees or Model SN Spiral Pipe Nineties, provide a fresh air intake system for Bebcu Pressurization and Ventilation Units. The Spiral Pipe Stacks and accessories are available in 12", 16", 20", and 24" diameters in either galvanized or stainless steel. The galvanized stack parts are available as is (with primer-painted steel flanges), painted or hot-dip finishes. The stainless steel stack parts are also available as is or with painted finishes. Other accessories include the Model GK Gasket Kits, Model SPAK Spiral Pipe Anchor Kits, Model CAGK Concrete Anchor Guy Wire Kit, Model EAGK Earth Anchor Guy Wire Kit and Model BC Blind Cover Plates.

NOTE: THE WELDED CARBON STEEL FLANGES ON GALVANIZED STACK PARTS ARE VULNERABLE TO CORROSION. THEREFORE, BEBCU STRONGLY RECOMMENDS SELECTION OF THE HOT-DIP FINISH (APPLIED AFTER WELDING) FOR MAXIMUM CORROSION PROTECTION.

SP Spiral Pipe Stacks

Model SP Spiral Pipe Stacks are fixed sections of spiral pipe with seal-welded flanges at both ends and are available in standard lengths of 2, 4, 6, 8 and 10 feet. In addition, custom lengths to the nearest inch, not exceeding 120 inches, are also available upon request. The Spiral Pipe Stacks are roll formed from 6" galvanized spooled metal into the desired diameter and length. All stack length tolerances are $\pm .25"$.

SC Stack Caps

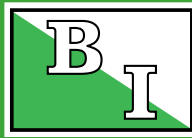
Model SC Stack Caps are intended to mount on top of a stack assembly to prevent falling rain, debris and birds from entering the stack. The Model SC features a seal-welded flange, steel cap and a 2 x 2 (1/2" x 1/2") steel mesh screen.

ST Spiral Pipe Tees

Model ST Spiral Pipe Tees provide a standard stack connection to a pressurization or ventilation unit and are intended for self-supporting stack applications. The run (end) connections feature seal-welded flanges and the branch (center) connection features a rotating Vanstone flange.

SN Spiral Pipe Nineties

Model SN Spiral Pipe Nineties are elbow sections that provide a right angle connection between other sections of stack. The Model SN features a seal-welded flange and a rotating Vanstone flange for easy installation.



MODEL SP, SC, ST, SN, GK, SPAK, CAGK, EAGK & BC SPIRAL PIPE STACKS & ACCESSORIES

ECU Division Technical Bulletin SPSA-R1.0

02/96



Model SC



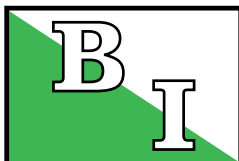
Model SP



Model ST

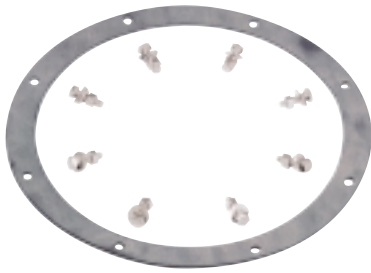


Model SN



Bebco Industries
Environmental Control Units Division

600 Gulf Freeway
Texas City, TX 77591
PHN: (409) 935-5743
FAX: (409) 938-4189



**Model GK
Gasket & Bolt Kit**

GK GASKET & BOLT KITS

Model GK Gasket and Bolt Kits provide a leakproof connection between spiral stack sections. The kit includes a die-cut 1/8" close cell neoprene gasket with a pressure sensitive adhesive on one side and 3/8" x 1" stainless steel bolts, nuts and washers. Model GK is available in 12", 16", 20" and 24" diameters to accommodate all stack sizes.

NOTE: MODEL GK GASKET KITS ARE NOT REQUIRED FOR THE CONNECTION BETWEEN THE STACK AND A PRESSURIZATION OR VENTILATION UNIT.

SPAK PIPE ANCHOR KITS



**Model SPAK
Spiral Pipe Anchor Kit**

Model SPAK Spiral Pipe Anchor Kits provide a means of securing a spiral stack assembly to a concrete support slab. Model SPAK is a set of concrete drop-in anchors which feature a stainless steel stud, anchor body and two (2) stainless steel nuts and washers. This kit is designed to level the stack by adjusting the height of each nut during construction, providing a precision leveling system for the stack. The leveling system is designed to allow a space that can either be backfilled with grout or left open for drainage. The Models SPAK-12 and SPAK-16 are supplied with eight (8) 3/8" anchors for 12" and 16" stacks, SPAK-20 and SPAK-24 are supplied with twelve (12) 3/8" anchors for 20" and 24" stacks.

**CAGK & EAGK
GUY WIRE KITS**

Model CAGK-1216 and CAGK-2024 Concrete Anchor Guy Wire Kits and Model EAGK-1216 and EAGK-2024 Earth Anchor Guy Wire Kits are intended to provide extra support to any spiral pipe stack assembly. Due to the lighter-weight construction of a spiral stack, extra support is mandatory, particularly in areas where high wind velocities might occur. The kits feature 120 feet of galvanized steel cable designed to withstand wind forces to 150 m.p.h.. The Model CAGK-1216 and Model EAGK-1216 are rated at 2100 lbs and the Model CAGK-2024 and Model EAGK-2024 are rated at 4700 lbs. Also included in the kits are six (6) wire rope thimbles, twelve (12) wire rope clamps, three (3) eye nuts, three (3) screw pin shackles, three (3) turnbuckles and three (3) wire clips. The CAGK Concrete Anchor Guy Wire Kits include three (3) concrete wedge anchors and the EAGK Earth Anchor Guy Wire Kits include three (3) auger screw anchors.

SPECIAL NOTE
MANUFACTURER ACCEPTS NO LIABILITY FOR ANY AFFECTS OR DAMAGES INCURRED BY THE INSTALLATION OF THE SPIRAL PIPE STACKS AND ACCESSORIES. IT IS STRONGLY ADVISED THAT SPECIAL CARE AND ATTENTION BE GIVEN TO SUCH INSTALLATIONS WITH RESPECT TO PROPER GUY WIRE AND ANCHORING DEVICE LOAD CALCULATIONS IN CONCURRENCE WITH INCLEMENT WEATHER CONDITIONS.

BC Blind Cover Plates

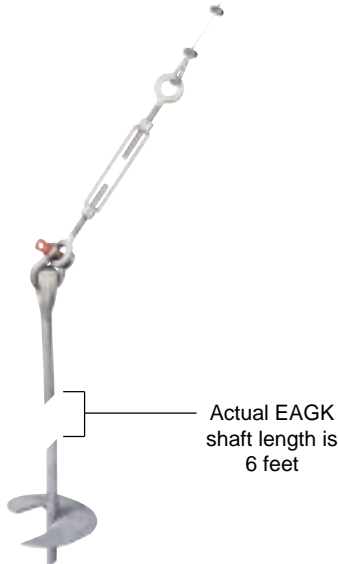
Model BC Blind Cover Plates are pre-cut galvanized steel or stainless steel disks required to seal or cap the base section of any spiral pipe stack to prevent the entrance of hazardous gasses or vapors. Blind covers are typically installed between the stand pipe and the section of a freestanding stack assembly.



**Model EAGK & CAGK Guy Wire
Assembly - Stack Connection**



**Model EAGK
Earth Anchor Guy Wire Kit**



**Model EAGK
Earth Anchor Guy Wire
Assembly - Ground Connection**

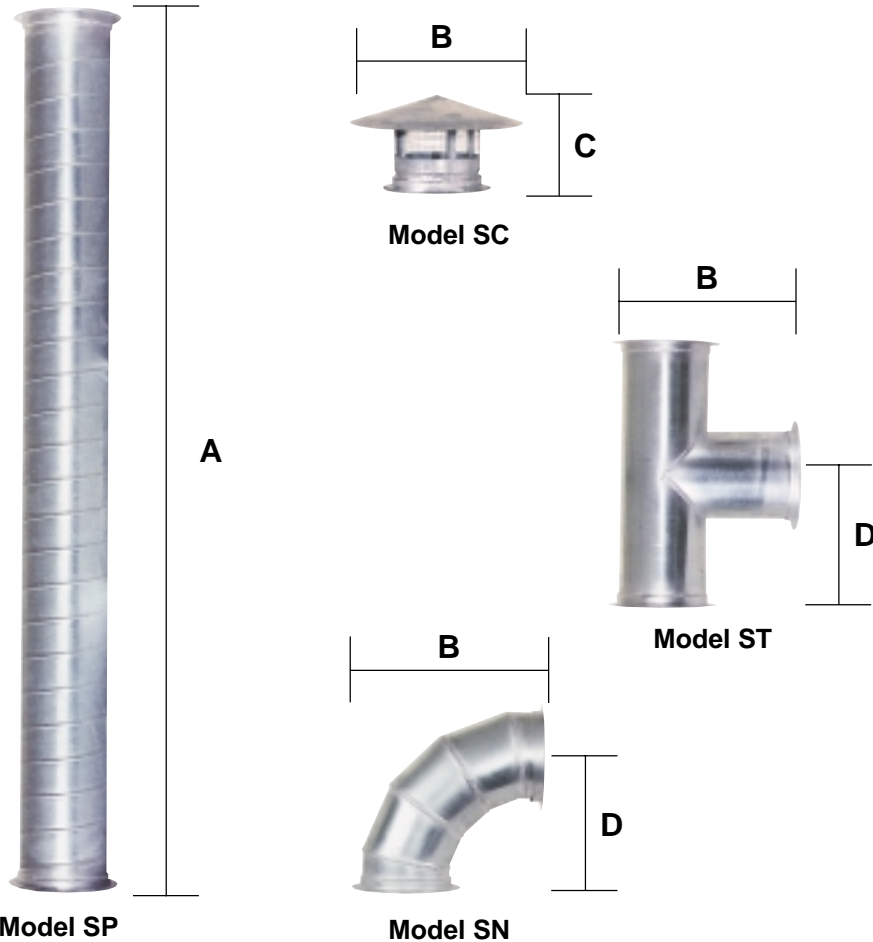


**Model CAGK
Concrete Anchor Guy Wire Kit**



**Model CAGK
Concrete Anchor Guy Wire
Assembly - Concrete Connection**

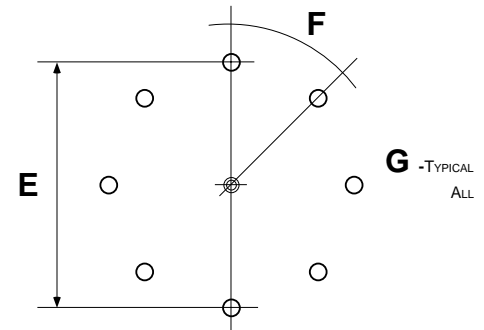
Component Dimensional Details



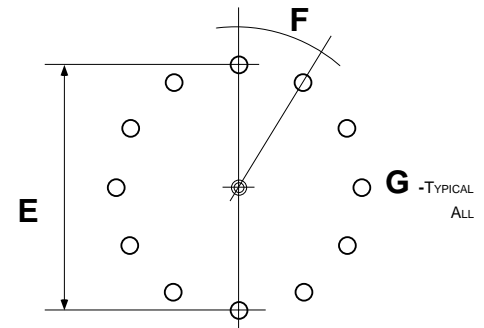
Component Dimensions

Size	12"	16"	20"	24"
A	24", 48", 72", 96", 120" & custom lengths			
B	24"	32"	40"	48"
C	13"	16"	19"	22"
D	18"	24"	30"	36"
E	14"	18"	21.75"	25.875"
F	45°	45°	30°	30°
G	3/8" Ø	3/8" Ø	3/8" Ø	3/8" Ø

Stack Base Patterns



12" & 16" Stack Base Flange Pattern

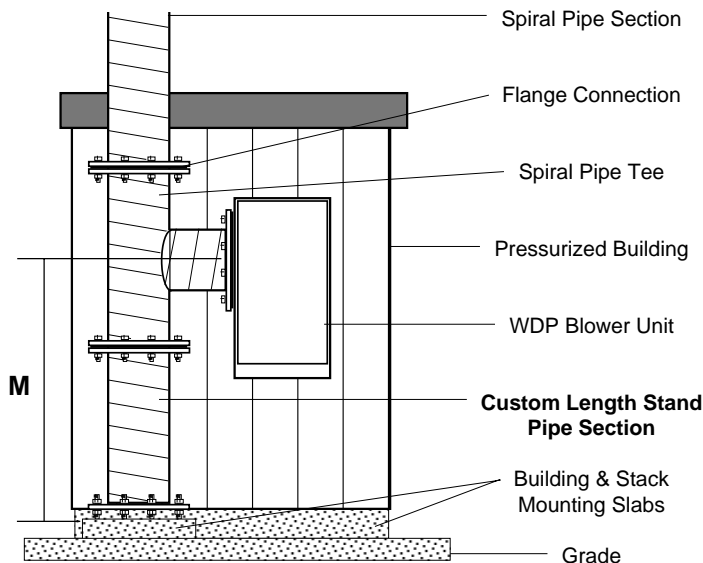


20" & 24" Stack Base Flange Pattern

Determining Custom Stand Pipe Lengths

"T" Value

Stack Dia.	"T"
12"	18"
16"	24"
20"	30"
24"	36"



Typical Wall Mount Unit Installation

The primary purpose of a Custom Stand Pipe is to provide support for standard stack assemblies from the bottom of a pipe tee section to the stack mounting slab (see above illustration). In all applications, a custom length of pipe is required. To determine the length of pipe necessary, the customer must first provide the measurement from the center of the Bebcos Pressurization or Ventilation Unit's intake stack connection to the stack mounting slab, represented as "M" in the illustration above. The measurement must be rounded to the nearest inch, no fractions. Second, the chart above provides the final variable ("T") needed to complete the formula below. This formula is used to determine the overall length of the Custom Stand Pipe. **IMPORTANT NOTE:** Bebcos recommends that an additional 1 (one) inch be subtracted from the "M" measurement to provide adequate clearance for leveling purposes.

$$M - T = \text{Custom Stand Pipe Length}$$

Component Weights

Stack Diameter	12"	16"	20"	24"
SP-	108	150	186	224
SC-	42	53	61	84
ST-	43	56	84	110
SN-	48	65	93	129
BC-	6	8	10	12
GK-	2	2	3	3
SPAK-	5	6	7	8
EAGK-	47	47	47	52
CAGK-	25	25	25	30

All weights are shown in pounds.
Weights do not include shipping pallet.

Material Specifications

Models SP Spiral Pipe, ST Spiral Tee & SN Spiral Ninety

Stack 16 Ga Galvannealed Steel or 316 Stainless Steel
 Flange Seal-welded Galvannealed Steel or 316 Stainless Steel

Model SC Stack Cap

Cap, Body & Flange 16 Ga Galvanized Steel or 316 Stainless Steel
 2 x 2 Mesh Screen Galvanized Steel or 316 Stainless Steel

Model GK Gasket Kit

Gasket Close Cell Neoprene w/ Pressure Sensitive Adhesive
 Nuts, Bolts & Washers 316 Stainless Steel

Model SPAK Spiral Pipe Anchor Kit

Stud 3/8" x 4.5" 316 Stainless Steel
 Anchor Body, Nuts and Washers 18-8 316 Stainless Steel

Model CAGK-1216 & CAGK-2024 Concrete Anchor Guy Wire Kits

Cable - Model CAGK-1216 1/8" 1 x 19 Single-Strand Galvanized Steel
 Cable - Model CAGK-2024 3/16" 1 x 19 Single-Strand Galvanized Steel
 Wire Rope Thimbles Hot-Dip Galvanized Steel
 Wire Rope Clamps Galvanized Malleable Iron
 Eye Nuts Galvanized Drop-Forged Steel
 Screw Pin Shackles Galvanized Drop-Forged Steel
 Turnbuckles Hot-Dip Galvanized Steel
 Guy Wire Clips 3/16" (0.1875") 316 Stainless Steel
 Concrete Wedge Anchors Hot-Dip Galvanized Steel

Model EAGK-1216 & EAGK-2024 Earth Anchor Guy Wire Kits

Cable - Model EAGK-1216 1/8" 1 x 19 Single-Strand Galvanized Steel
 Cable - Model EAGK-2024 3/16" 1 x 19 Single-Strand Galvanized Steel
 Wire Rope Thimbles Hot-Dip Galvanized Steel
 Wire Rope Clamps Galvanized Malleable Iron
 Eye Nuts Galvanized Drop-Forged Steel
 Screw Pin Shackles Galvanized Drop-Forged Steel
 Turnbuckles Hot-Dip Galvanized Steel
 Guy Wire Clips 3/16" (0.1875") 316 Stainless Steel
 Auger Screw Anchors Hot-Dip Galvanized Steel

Model BC Blind Cover

14 Ga Galvanized Steel or 316 Stainless Steel

Model SP, ST, SN and SC galvanized parts are available as is, painted finish or hot-dip finish.
 Model SP, ST, SN and SC stainless steel parts are available in a painted finish or no finish.

Model Number Designations

MODEL SP

Series Model Number SP - 12 - 120 - GS - 0
 SP - Spiral Pipe Stack
 Stack Diameter
 12 - 12"
 16 - 16"
 20 - 20"
 24 - 24"
 Stack Length
 XXX - Length in inches (Not exceeding 120")
 Stack Material
 GS - 16 Ga Galvannealed Steel
 SS - 16 Ga Stainless Steel
 Material Finish
 0 - Unfinished
 1 - Hot Dipped
 2 - Paint Finish

MODELS SC, ST, SN & BC

Series Model Number SC - 12 - GS - 0
 SC - Stack Cap
 ST - Spiral Pipe Tee
 SN - Spiral Pipe Nineties
 BC - Blind Cover Plates
 Stack Diameter
 12 - 12"
 16 - 16"
 20 - 20"
 24 - 24"
 Stack Material
 GS - 16 Ga Galvannealed Steel
 SS - 16 Ga Stainless Steel
 Material Finish
 0 - Unfinished
 1 - Hot Dipped
 2 - Paint Finish

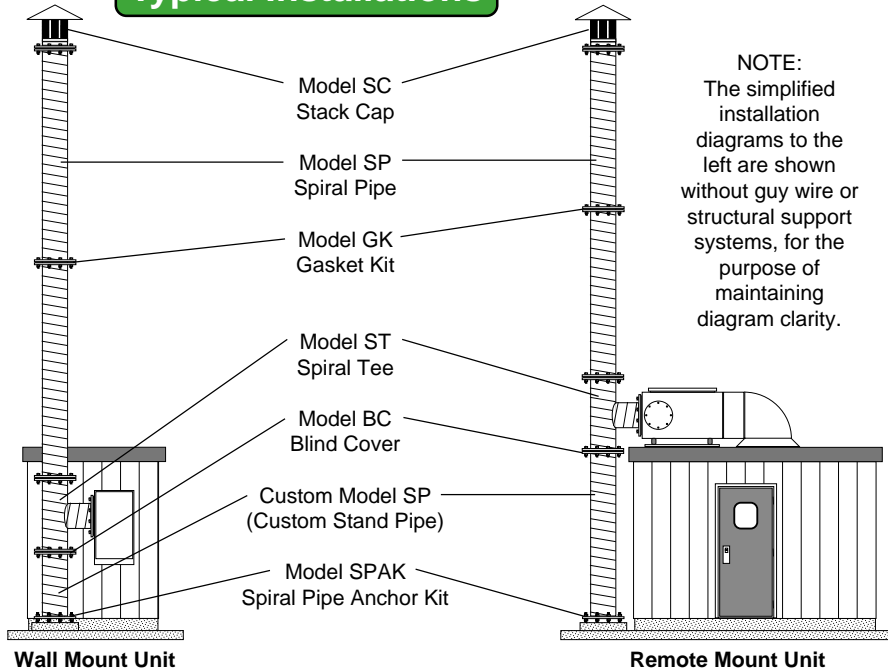
MODELS GK & SPAK

Series Model Number GK - 12
 GK - Spiral Pipe Gasket & Bolt Kit
 SPAK - Spiral Pipe Anchor Bolt Kit
 Stack Diameter
 12 - 12"
 16 - 16"
 20 - 20"
 24 - 24"

MODELS EAGK & CAGK

Series Model Number EAGK - XX - 1216
 EAGK - Earth Anchor Guy Wire Kit
 CAGK - Concrete Anchor Guy Wire Kit
 Guy Wire Length
 40 - 120' Roll of Guy Wire (3-40' lengths)
 Stack Diameter
 1216 - 12" & 16" Stack Diameters
 2024 - 20" & 24" Stack Diameters

Typical Installations



NOTE:
 The simplified installation diagrams to the left are shown without guy wire or structural support systems, for the purpose of maintaining diagram clarity.

IMPORTANT NOTES

All specifications subject to change without notice.
 Warranty & Liability policies available upon request.
 Installers must recognize the need for adequate stack guy wire or structural support systems as well as foundation anchoring systems. Installers assume all liability for the installation and integrity of said systems, wherein design considerations should ensure that stack guy wire or structural support systems are capable of withstanding local inclement weather conditions.

Local Sales Representative